

**Canon**

**EF 100-300mm 1:5.6**

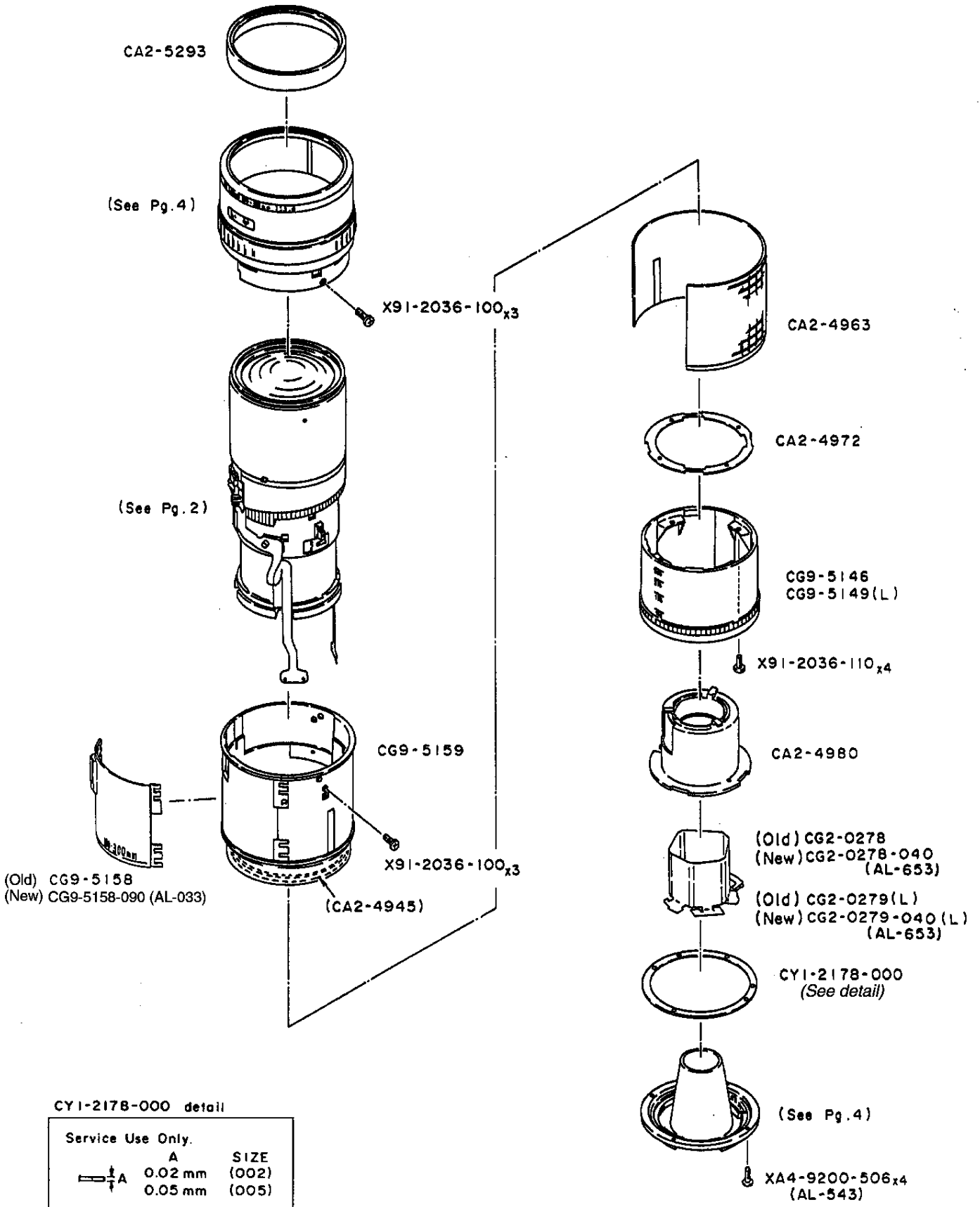
**EF 100-300mm 1:5.6L**

**REF.NO.C21-9431**

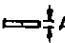
**REF.NO.C21-9432**

**PARTS  
CATALOG**

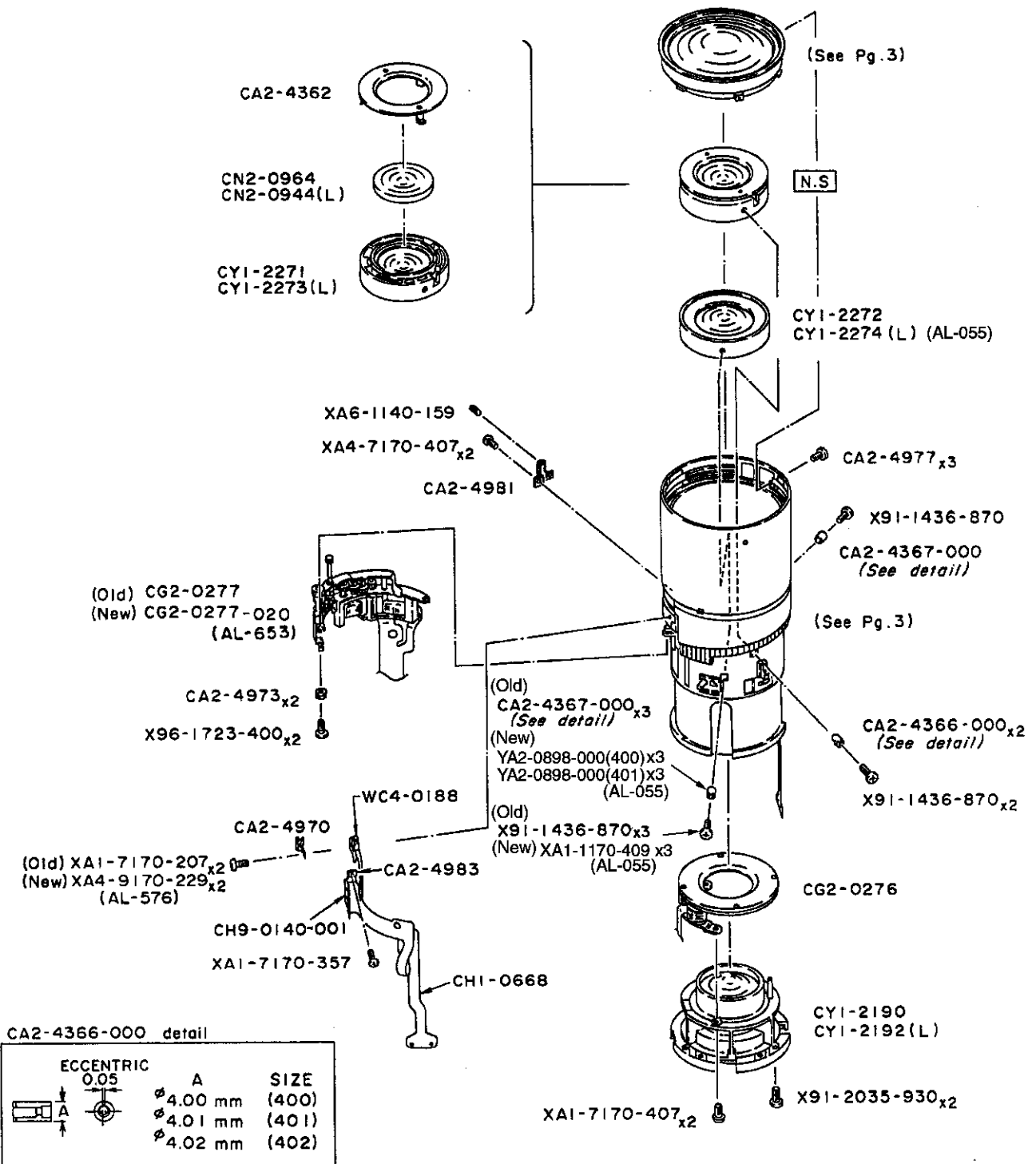
CANON LENS EF 100-300 mm 1:5.6  
EF 100-300 mm 1:5.6L



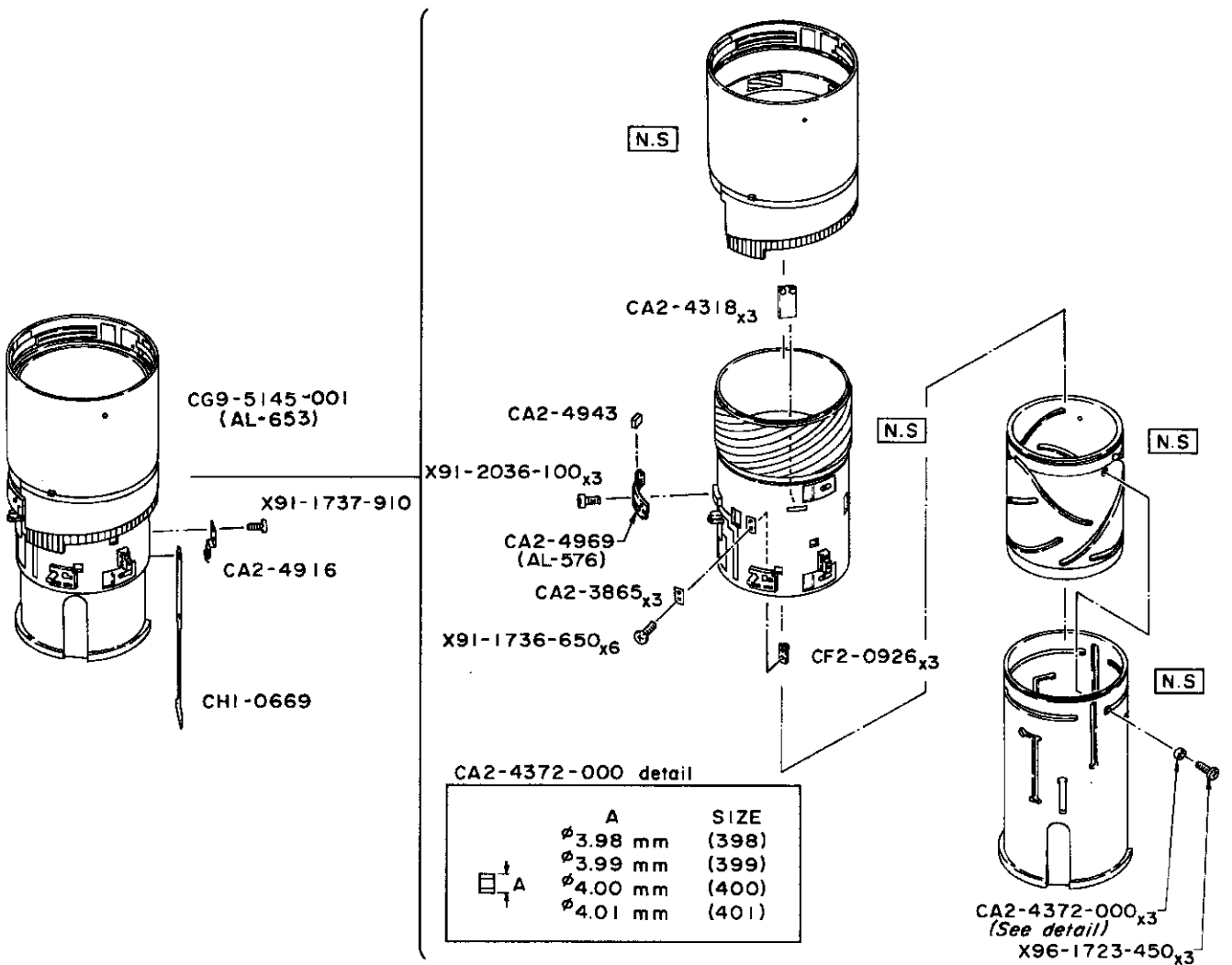
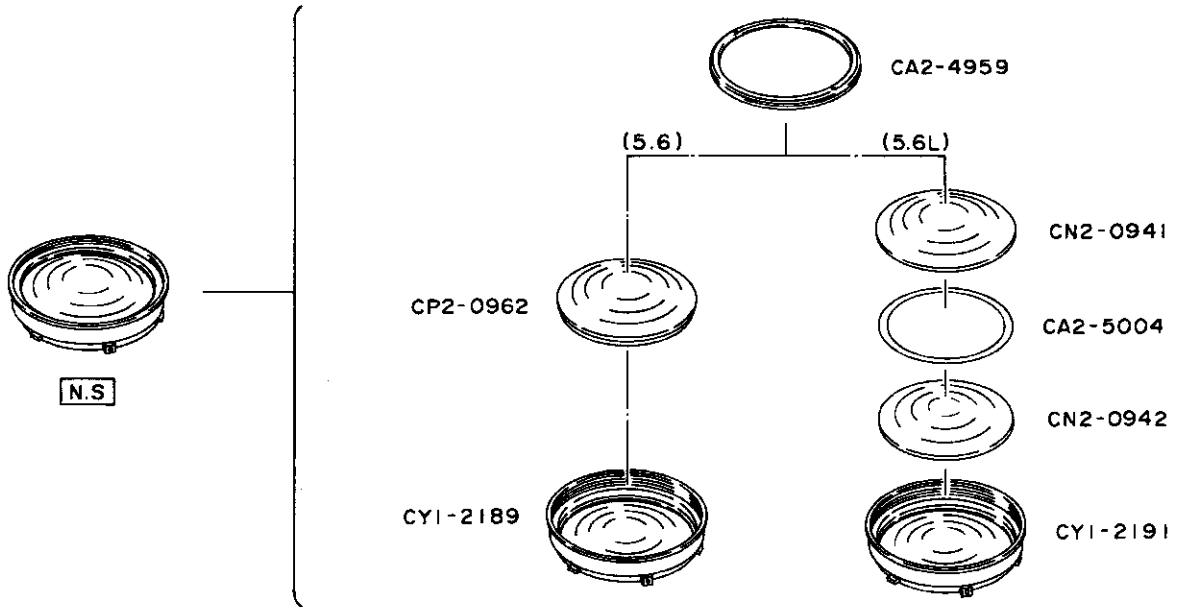
CY1-2178-000 detail

Service Use Only.		
	A	SIZE
	0.02 mm	(002)
	0.05 mm	(005)

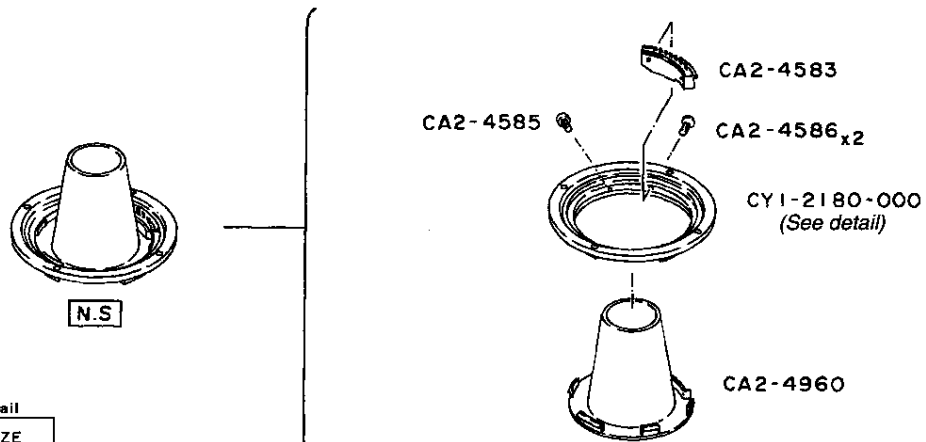
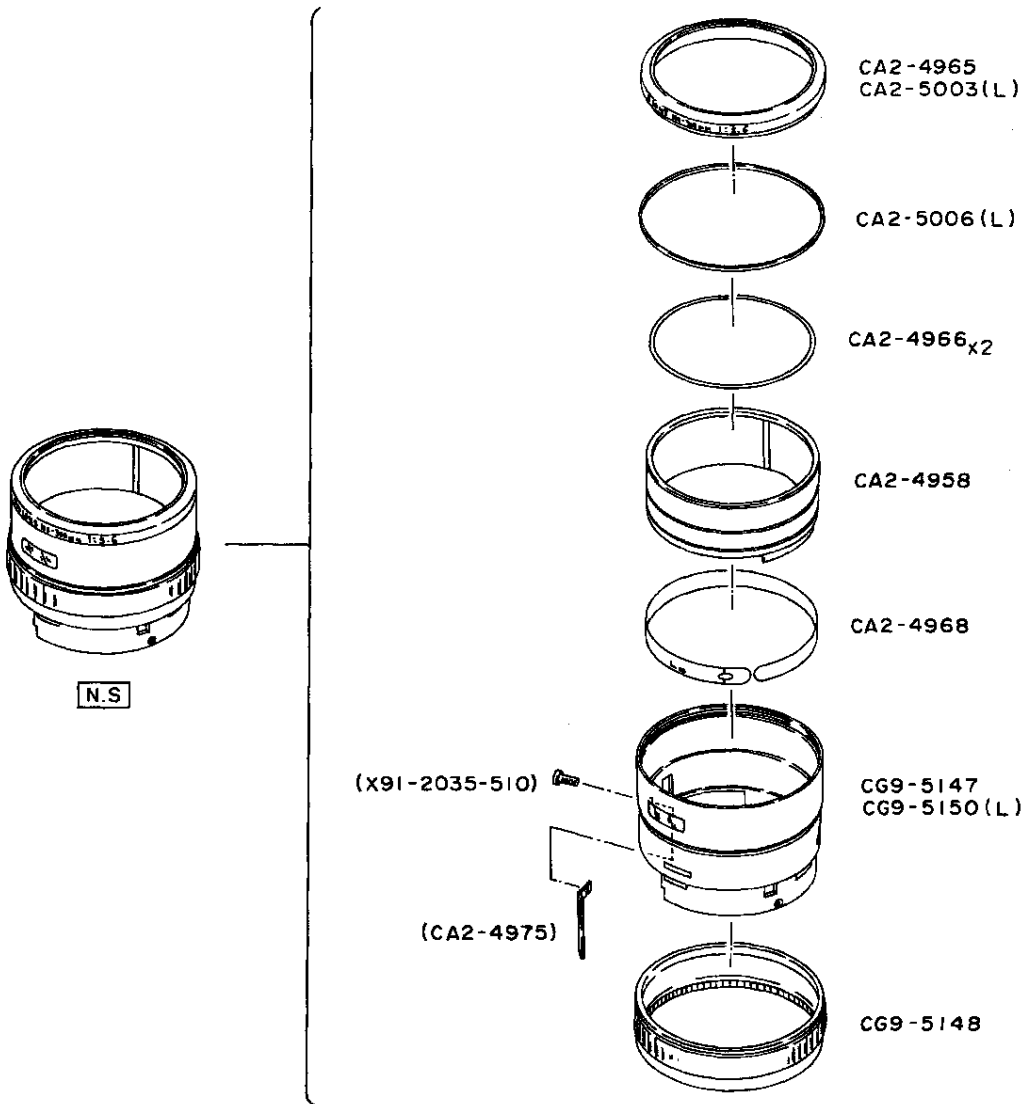
CANON LENS EF 100-300 mm 1:5.6  
EF 100-300 mm 1:5.6L



CANON LENS EF 100-300 mm 1:5.6  
EF 100-300 mm 1:5.6L

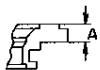


CANON LENS EF 100-300 mm 1:5.6  
EF 100-300 mm 1:5.6L



CY1-2180-000(XXX) detail

A	SIZE
2.0 mm	(200)
2.1 mm	(210)
2.2 mm	(220)
2.3 mm	(230)
2.4 mm	(240)
2.5 mm	(250)
2.6 mm	(260)
2.7 mm	(270)



REF.NO.C21-9431,32

**PARTS LIST**

NEW	PARTS NO.	CLASS	QTY	DESCRIPTION	PAGE	G/L
	CA2-3865-000	E	3	WASHER	3	
	CA2-4318-000	E	3	PLATE, FRICTION	3	
	CA2-4362-000	E	1	COLLAR, ASSEMBLY	2	
	CA2-4366-000 (400)	D	2	COLLAR, ECCENTRIC	2	
	CA2-4366-000 (401)	D	2	COLLAR, ECCENTRIC	2	
	CA2-4366-000 (402)	D	2	COLLAR, ECCENTRIC	2	
	CA2-4367-000 (400)	D	4	COLLAR (OLD)	2	
	CA2-4367-000 (401)	D	4	COLLAR (OLD)	2	
	CA2-4367-000 (402)	D	4	COLLAR (OLD)	2	
	CA2-4372-000 (398)	D	3	COLLAR	3	
	CA2-4372-000 (399)	D	3	COLLAR	3	
	CA2-4372-000 (400)	D	3	COLLAR	3	
	CA2-4372-000 (401)	D	3	COLLAR	3	
	CA2-4583-000	D	1	CONTACT ASS'Y	4	
	CA2-4585-000	E	1	SCREW, MOUNT STOPPER	4	
	CA2-4586-000	E	2	SCREW	4	
	CA2-4916-000	D	1	BRUSH, ZOOMING	3	
	CA2-4943-000	E	1	STOPPER, RUBBER	3	
	CA2-4945-000	E	1	CUSHION	1	
	CA2-4958-000	E	1	RING, FOCUSING	4	
	CA2-4959-000	D	1	COLLAR, ASSEMBLY	3	
	CA2-4960-000	D	1	COVER, BACK	4	
	CA2-4963-000	C	1	RUBBER, ZOOMING	1	
	CA2-4965-000	D	1	RING, NAME	4	G
	CA2-4966-000	E	2	WASHER, DUST SHIELD	4	
	CA2-4968-000	D	1	PLATE, FOCUS SCALE	4	
	CA2-4969-000	E	1	STOPPER, FOCUSING	3	
	CA2-4970-000	E	1	HOLDER, SWITCH	2	
	CA2-4972-000	E	1	WASHER, FOCUS	1	
	CA2-4973-000	D	2	BUSHING, RUBBER	2	
	CA2-4975-000	E	1	PLATE, CONNECTING	4	
	CA2-4977-000	D	3	SCREW	2	
	CA2-4980-000	E	1	BARREL, FLEX	1	
	CA2-4981-000	E	1	ARRESTER, PLAY	2	
	CA2-4983-000	E	1	HOLDER, MODE SWITCH	2	
	CA2-5003-000	D	1	RING, NAME	4	L
	CA2-5004-000	E	1	SPACER	3	L
	CA2-5006-000	E	1	L-RING	4	L
	CA2-5293-000	D	1	PROTECTOR	1	
	CF2-0926-000	E	3	STOPPER	3	
	CG2-0276-000	D	1	POWER DIAPHRAGM UNIT	2	
	CG2-0277-000	D	1	AF DRIVE UNIT (OLD)	2	
	CG2-0277-020	D	1	AF DRIVE UNIT (NEW)	2	
	CG2-0278-000	D	1	MAIN FLEX CBA (OLD)	1	G
	CG2-0278-040	D	1	MAIN FLEX CBA (NEW)	1	G
	CG2-0279-000	D	1	MAIN FLEX CBA (OLD)	1	L
	CG2-0279-040	D	1	MAIN FLEX CBA (NEW)	1	L
	CG9-5145-001	D	1	ZOOMING/FOCUSING UNIT	3	
	CG9-5146-000	D	1	BARREL, FIXED	1	G
	CG9-5147-000	D	1	SLEEVE, WINDOW	4	G

REF.NO.C21-9431,32

**PARTS LIST**

NEW	PARTS NO.	CLASS	QTY	DESCRIPTION	PAGE	G/L
	CG9-5148-000	D	1	RING, MANUAL FOCUSING	4	
	CG9-5149-000	D	1	BARREL, FIXED	1	L
	CG9-5150-000	D	1	SLEEVE, WINDOW	4	L
	CG9-5158-000	D	1	PANEL, A-M SWITCH (OLD)	1	
	CG9-5158-090	D	1	SWITCH PANEL UNIT (NEW)	1	
	CG9-5159-000	D	1	RING, ZOOMING	1	
	CH1-0668-000	D	1	FLEX, CONNECTING	2	
	CH1-0669-000	D	1	FLEX, ZOOMING	3	
	CH9-0140-001	E	1	SWITCH, SLIDE	2	
	CN2-0941-000	C	1	LENS, G1	3	L
	CN2-0942-000	E	1	LENS, G2	3	L
	CN2-0944-000	E	1	LENS, G4	2	L
	CN2-0964-000	E	1	LENS, G4	2	G
	CP2-0962-000	C	1	LENS,G1/2	3	G
	CY1-2178-000 (002)	E	1	WASHER, MOUNT	1	
	CY1-2178-000 (005)	E	1	WASHER, MOUNT	1	
	CY1-2180-000 (200)	C	1	MOUNT, LENS	4	
	CY1-2180-000 (210)	C	1	MOUNT, LENS	4	
	CY1-2180-000 (220)	C	1	MOUNT, LENS	4	
	CY1-2180-000 (230)	C	1	MOUNT, LENS	4	
	CY1-2180-000 (240)	C	1	MOUNT, LENS	4	
	CY1-2180-000 (250)	C	1	MOUNT, LENS	4	
	CY1-2180-000 (260)	C	1	MOUNT, LENS	4	
	CY1-2180-000 (270)	C	1	MOUNT, LENS	4	
	CY1-2189-000	D	1	BARREL, LENS G3	3	G
	CY1-2190-000	D	1	RELAY LENS UNIT	2	G
	CY1-2191-000	D	1	BARREL, LENS G3	3	L
	CY1-2192-000	D	1	RELAY LENS UNIT	2	L
	CY1-2271-000	D	1	BARREL, LENS G5/6	2	G
	CY1-2272-000	D	1	BARREL, LENS G7/8	2	G
	CY1-2273-000	D	1	BARREL, LENS G5/6	2	L
	CY1-2274-000	D	1	BARREL, LENS G7/8	2	L
	WC4-0188-000	E	1	SWITCH, MICRO	2	
	X91-1436-870		6	SCREW, CROSS-RECESS, PH	2	
	X91-1736-650		6	SCREW, CROSS-RECESS, PH	3	
	X91-1737-910		1	SCREW, CROSS-RECESS, PH	3	
	X91-2035-510		1	SCREW, CROSS-RECESS, PH	4	
	X91-2035-930		2	SCREW, SLOTTED, FFH	2	
	X91-2036-100		9	SCREW, CROSS-RECESS, PH	1,3	
	X91-2036-110		4	SCREW, CROSS-RECESS, PH	1	
	X96-1723-400		2	SCREW, CROSS-RECESS, SHOULDER	2	
	X96-1723-450		3	SCREW, CROSS-RECESS, SHOULDER	3	
	XA1-1170-409		3	SCREW, CROSS-RECESS, PH	2	
	XA1-7170-207		2	SCREW, CROSS-RECESS, PH	2	
	XA1-7170-357		1	SCREW, CROSS-RECESS, PH	2	
	XA1-7170-407		2	SCREW, CROSS-RECESS, PH	2	
	XA4-7170-407		2	SCREW, CROSS-RECESS, PH	2	
	XA4-9170-229		2	SCREW, CROSS-RECESS, PH	2	
	XA4-9200-506		4	SCREW, CROSS-RECESS, PH	1	
	XA6-1140-159		1	SETSCREW, SLOTTED, HLCP	2	

REF.NO.C21-9431,32

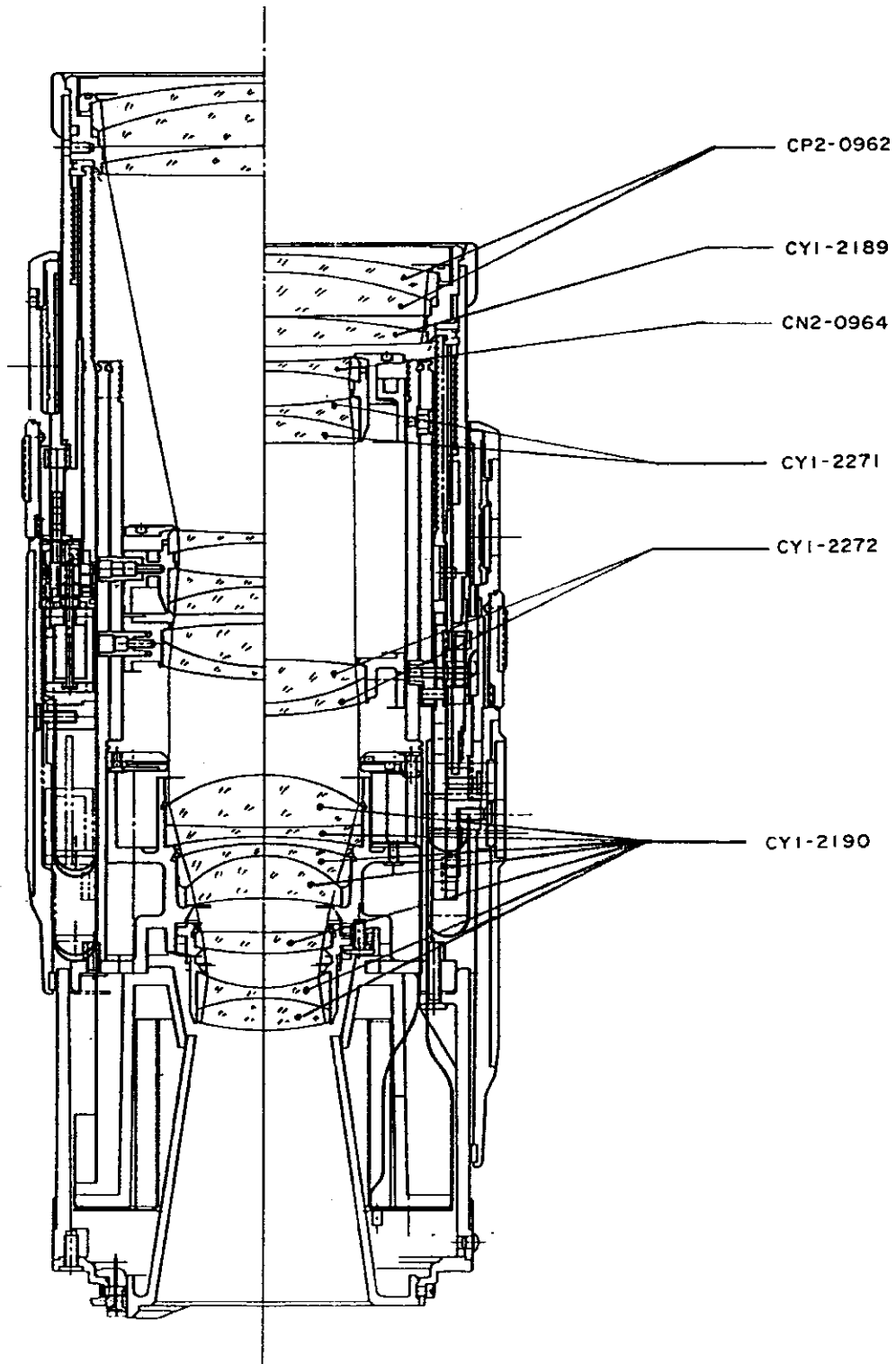
**PARTS LIST**

<u>NEW</u>	<u>PARTS NO.</u>	<u>CLASS</u>	<u>QTY</u>	<u>DESCRIPTION</u>	<u>PAGE</u>	<u>G/L</u>
	Y11-4702-000		1	LEAD(BLACK)		
	Y11-4703-000		1	LEAD(RED)		
	Y11-4901-000		1	LEAD(WHITE)		
	Y11-4906-000		1	LEAD(ORANGE)		
	Y11-4907-000		1	LEAD(YELLOW)		
	Y11-4909-000		1	LEAD(GREEN)		
	Y11-4911-000		1	LEAD(BLUE)		
	YA2-0898-000 (400)	D	3	COLLAR (NEW)	2	
	YA2-0898-000 (401)	D	3	COLLAR (NEW)	2	



# CANON LENS EF 100-300 mm 1:5.6

REF. NO. C21-9431



# CANON LENS EF 100-300 mm 1:5.6 L

REF. NO. C21-9432

